

4

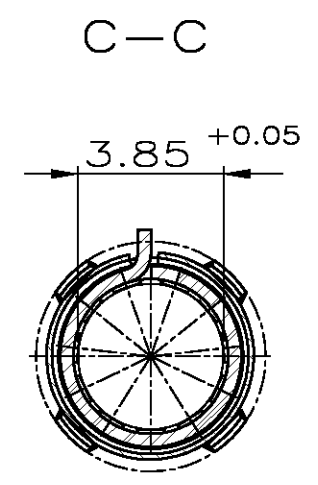
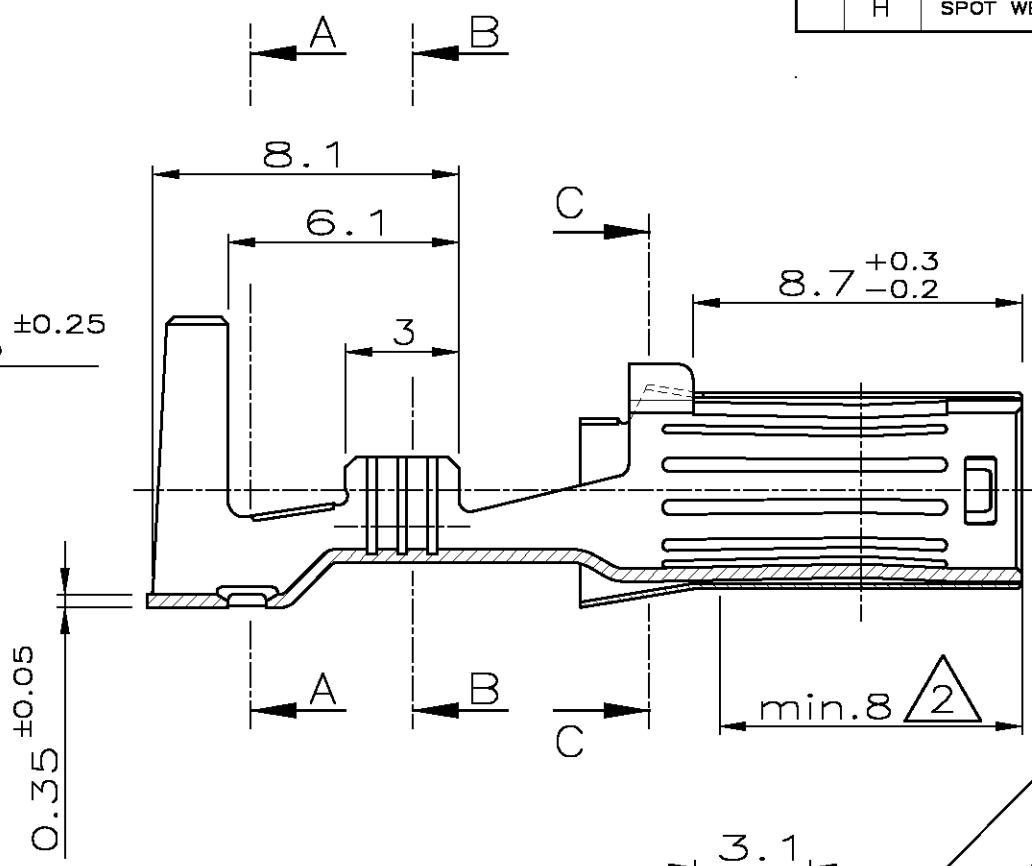
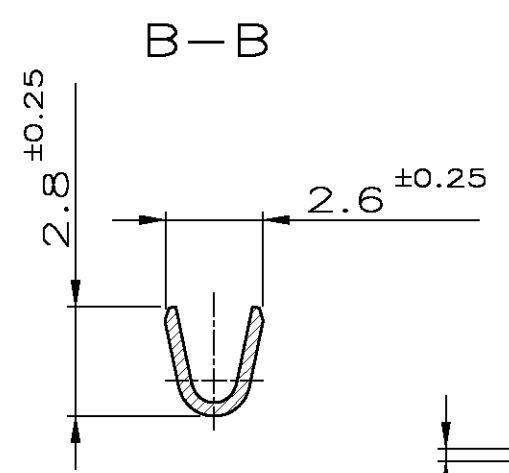
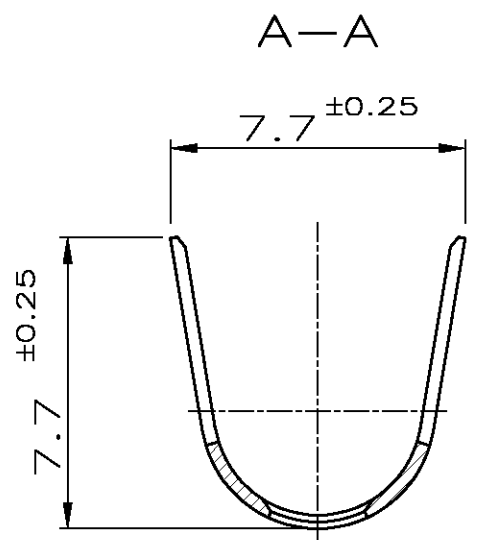
3

2

1

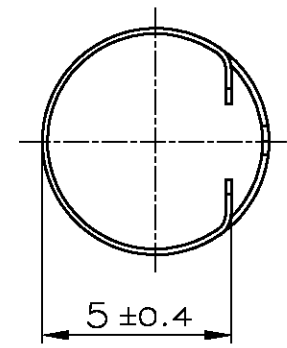
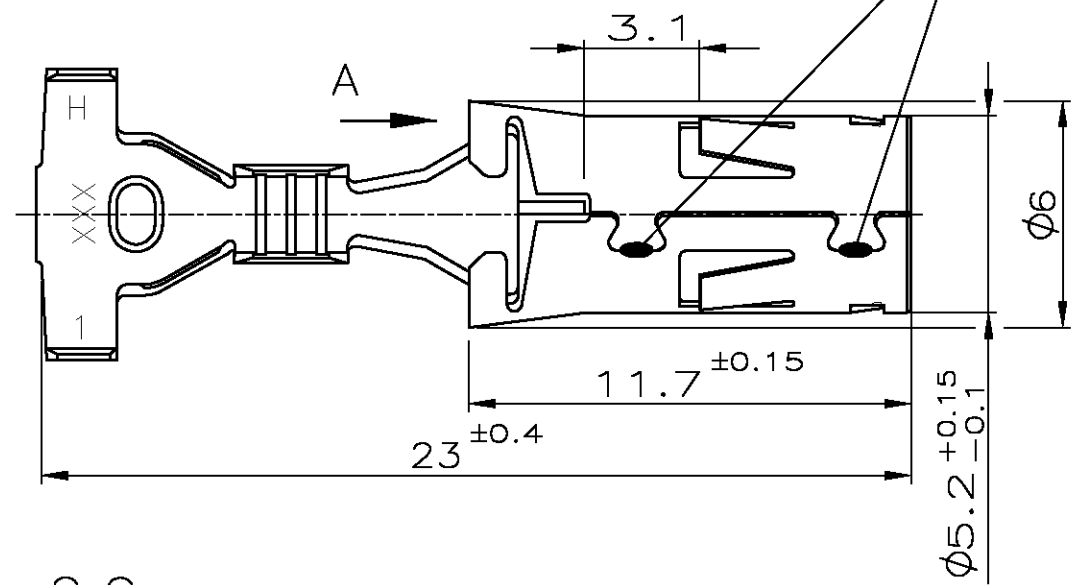
THIS DRAWING IS UNPUBLISHED. RELEASED FOR PUBLICATION  
 © COPYRIGHT - ALL RIGHTS RESERVED.

LOC	DIST	REVISIONS			
P	LTR	DESCRIPTION	DATE	DWN	APVD
A1	-				
F		DOVE TAIL ADDED / Schwabenschwanz eingefuegt	27JUL2006	C.H.	C.G.
G		DRAWING ADAPTED / Zeichnung angepasst	13AUG2007	Abr	C.G.
H		SPOT WELDING CHANGED INTO LINE WELDING	27SEP2012	Sch	Abr



LASER WELDED (LINE)  
Laserschweissung (Linie)

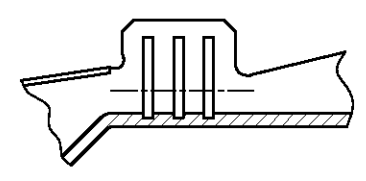
Teilansicht A



NOTES  
Bemerkungen

- 1 1-3µm Sn  
1-3µm Sn
- 2 3-4µm GALVANIC Ag  
REST GALV. Sn (1-3µm)  
3-4µm galvanisch Ag  
Rest galv. Sn (1-3µm)
- 3 WIRE RANGE  
Drahtgroessenbereich (mm<sup>2</sup>): 0.5-1
- 4 INSULATION RANGE FOR SWS Ø6 (mm): 1.4-2.0  
Isolationsbereich fuer EDS Ø6

OPTIONAL



2	vorversilbert	0-962952-2	H
1	vorverzinkt	0-962952-1	H
	FINISH	PART NO.	REV.

THIS DRAWING IS A CONTROLLED DOCUMENT.		DWN E. Palmie 02FEB1995	<b>STE</b> TE Connectivity		
DIMENSIONS: mm		CHK H. Lutsch 02FEB1995			
TOLERANCES UNLESS OTHERWISE SPECIFIED:		APVD -	NAME Ø4mm SOCKET CONTACT, SWS Ø4mm Buchsenkontakt, EDS		
0 PLC ± ±0.2mm		PRODUCT SPEC 108-18472	SIZE A3		
1 PLC ± ±		APPLICATION SPEC 114-18118	CAGE CODE 00779	DRAWING NO C-962952	RESTRICTED TO -
2 PLC ± ±		WEIGHT -	SCALE 5:1		
3 PLC ± ±		CUSTOMER DRAWING			
4 PLC ± ±		SHEET 1 OF 1			
ANGLES ± 1.5°		REV H			
FINISH -					